

Coffee Guardian™

"Finally!... no more drain blockages"

ABBIE HAYDEN
BARISTA



FILTERS COFFEE GROUND WASTE FROM COFFEE MACHINES

Stainless steel fabrication

Installed under sink and/or coffee machine

Prevents blockages

Filters coffee grounds

0.6, 1, 4 & 8 litre capacity options

Easy to install & maintain

Compact in size

Full customer support



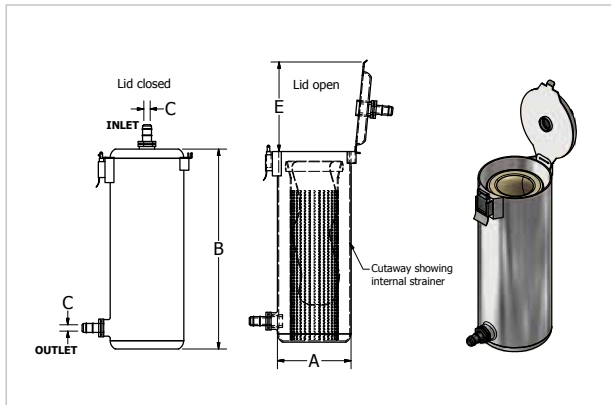
BS EN ISO 9001:2008



www.fmenvironmental.com



COFFEE FILTRATION OPTIONS ST2, ST4, ST8



INLET/OUTLET connections available for 16mm and 20mm ID. Allow minimum clearance required for servicing as per table below (E).

ST2 Coffee machine waste filter

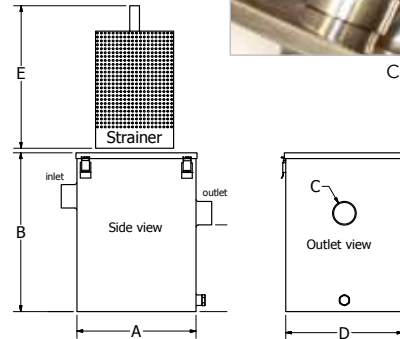
The ST2 is a filter for industrial coffee machines, specifically designed to treat the waste flow of the backwash before going to the drain. Coffee grounds are strained through an ultra fine fabric mesh filter.

The ST2 is easy to fit and comes with pipe fittings and wall brackets for easy installation. The ultra fine fabric mesh filter can be used to strain the grounds.

For confined spaces ST2 mini version is available.



Coffee filter attachment



ST4 & ST8 Undersink Solid Strainer with coffee filter attachment

The ST4 and ST8 coffee waste filters can be installed under sinks used in cafes to strain coffee grounds and other fine sediment. The under-sink option can take the waste from the sink as well as the coffee machine itself.

With the ST8 floor mounted trap, several filtration methods are available to choose from, including mesh bags, ultra fine fabric mesh filter and stainless steel basket options.

Maintenance is easy. Once a day or when a reduced flow is noticed from the sink, simply open the tank and remove the filtration device, empty and replace.

Model	Length (A)	Height (B)	Inlet/Outlet (C)	Width (D)	Min. Clearance (E)	Strainer Capacity Litres	Filter options
ST2 mini	115	220	16/20	n/a	145	0.6	Coffee filter
ST2	115	320	16/20	n/a	230	1	Coffee filter
ST4	255	352	50	255	250	4	Coffee filter/ metal strainer
ST8	305	405	60	300	350	8	Coffee filter/ metal strainer / mesh bag

All dimensions in mm. All drawings in this brochure are guidelines and are subject to change. Always request the latest drawings from your suppliers.



Manufacturers

FM Environmental
Greenbank Industrial Estate
Newry BT34 2QX
Northern Ireland
T: +44(0)28 302 66616
F: +44(0)28 302 63233
E: sales@greaseguardian.com

www.greaseguardian.com

Malta

FM Environmental (Malta) Ltd
Water Technology House
A15B Industrial Estate
Marsa, Malta
T: +356 2122 6172
F: +356 2122 6171
E: fmmalta@fmenvironmental.com

www.fmenvironmental.com

Authorised distributor:



www.greaseguardian.com

